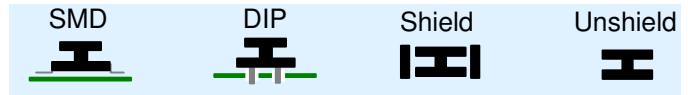


Product Series Code	GAR	Brand	GOTREND
File Version	GAR321609P-601N-V1R0	Editor	Teddy
Established Date	2019.04.19	Description	Ferrite Multilayer Chip Bead Array
Latest Edit Date	2019.04.19	Pages	Page : 2

Features & Application:

- * High integrated / compact 4 line bead noise reduce circuit
- * Fit for power line & signal line circuit
- * To help you go pass the CE/FCC standard.
- * Mobil Device / Handheld Device / LowProfile Device / Panel...

Product Structure



2005 RoHS Compliant - SGS Certified Result

Pb	Cd	Hg	Cr+6	PBB	PBDE
<1000ppm	ND	ND	ND	ND	ND

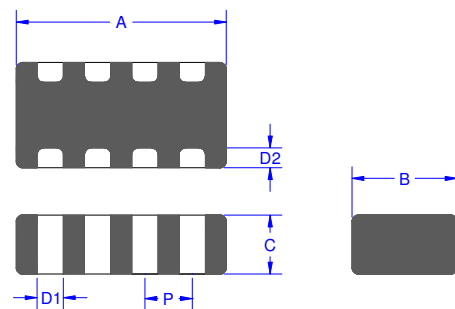
Part No Example:

GAR 321609 P - 601 N

 1 2 3 4 5

1. GAR : GOTREND Series
2. 321609 : Dimension : 3.2 x 1.6 x 0.9 mm
3. P : Pb free < 1000 ppm
4. 601 : Impedance = 600 Ohm
5. N : Tolerance N = +/-25%

Dimensions: [mm]



Size	A [+/-0.2]	B [+/-0.2]	C [+/-0.2]	D1 [+/-0.15]	D2 [+/-0.1]	P [+/-0.1]
321609	3.2	1.6	0.9	0.4	0.3	0.8

Test Equipment :

* HP4284A,HP42841A- Impedance , Rated current , DCR

Standard Atmospheric Conditions :

Ambient Temp : 20 +/- 15°C

Relative Humidity : 65 +/- 20%

If there may be any doubt on the result, measurement shall be made within the following limits :

Ambient Temp : 25 +/- 5°C

Relative Humidity : 75 +/- 10%

Operating & Storage Condition:

Operating Temp : -55 ~ +125°C (Including self-temperature rise)

Storage Temp : -55 ~ +125°C (on board)

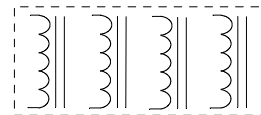
Storage Life Time : 12 Month @25°C , RH 65%

Attention & Caution:

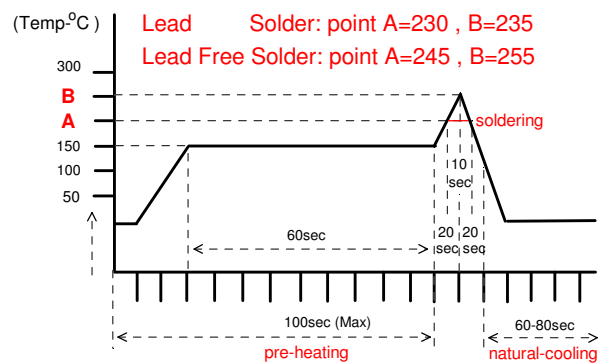
Please avoid following matters:

- * Splashing water or salt water
- * Toxic Gas (Hydrogen sulfide, Sulfurous acid, Chlorine, Ammonia)
- * Vibrations or shocks which exceed the specified condition
- * Dew condenses
- * Please be careful for the stress to this product by board flexure or something after the mounting.

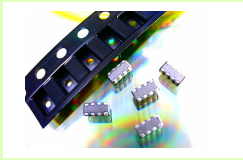
SCHEMATIC:



Recommend Reflow Curve (TIME:Second)



Notice: Iron Soldering: 3 Seconds Max. @260°C

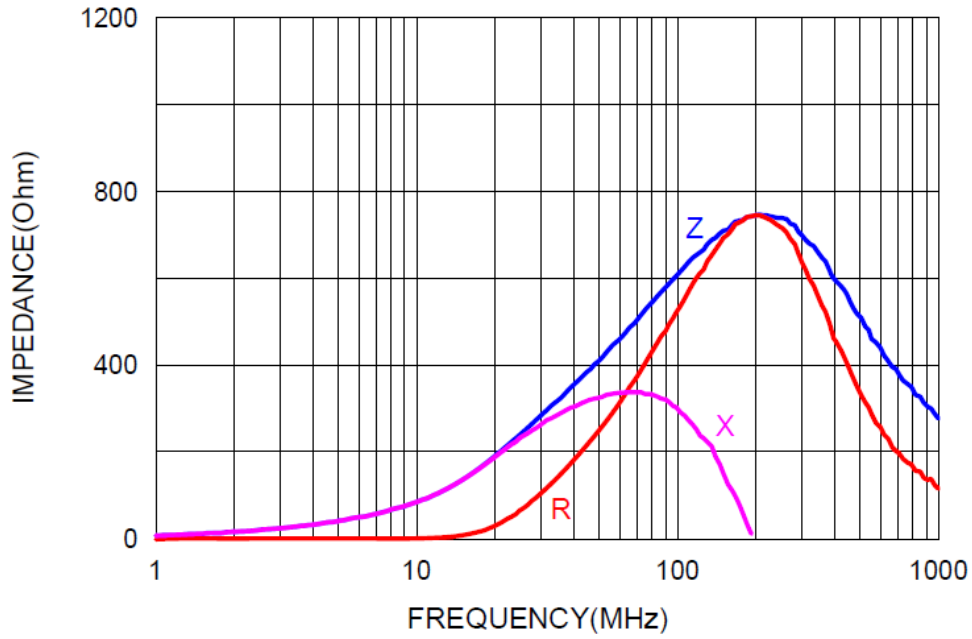


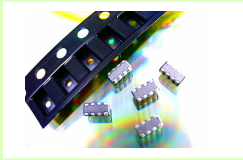
Product Series Code	GAR	Brand	GOTREND
File Version	GAR321609P-601N-V1R0	Editor	Teddy
Established Date	2019.04.19	Description	Ferrite Multilayer Chip Bead Array
Latest Edit Date	2019.04.19	Pages	Page : 3

Specification :

PART NO.	Impedance [Ohm]	Test Frequency [Hz]	DC Resistance [Ohm]	Rated Current [mA]
GAR321609P-601N	600 +/- 25%	100M / 60mV	0.5 Max.	200 Max.

● Rated current: based on temperature rise test

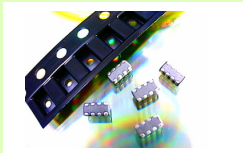




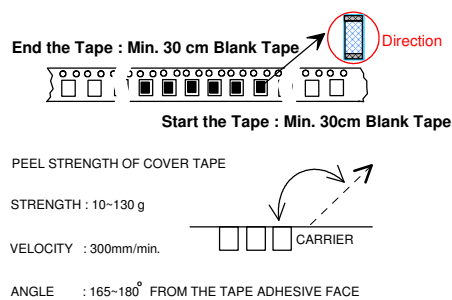
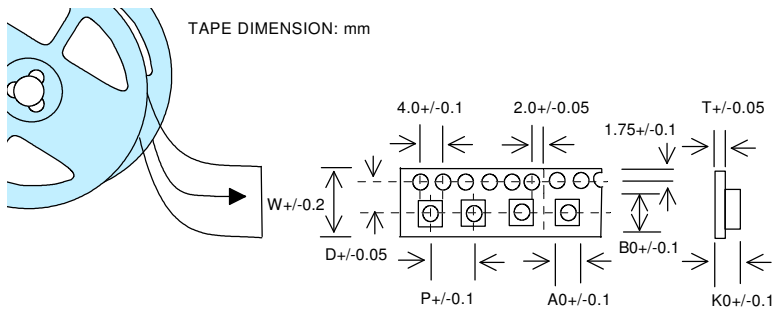
Product Series Code	GAR	Brand	GOTREND
File Version	GAR321609P-601N-V1R0	Editor	Teddy
Established Date	2019.04.19	Description	Ferrite Multilayer Chip Bead Array
Latest Edit Date	2019.04.19	Pages	Page : 4

Reliability Test Result :

NO	ITEM	TEST CONDITIONS	REMARKS																
1	Thermal Shock (Temperature Cycle)	Temperature: -55 ° C/ +125 ° C kept stabilized for 30 minutes each Cycle: 100 Cycles	Inductance value shall be within ± 10% of the initial value. Q-factor shall be within ± 30% of the initial value. Impedance shall be within ± 20% of the initial value. DCR value shall be within ± 20% of the initial value.																
2	Humidity Resistance	Humidity: 90%~ 95% RH Temperature: 40± 2 ° C Test Time: 1000± 12 Hours	<p>■ NO.1~4 Measurement: After placing for 24 hours (min.)</p> <p>■ NO.2~3 Applied current(spec): Rated current(maximum value)</p> <p>■ NO.5 Cycle: 5 cycles</p>																
3	High Temperature	Temperature: 125± 2 ° C Humidity: 20% Testing Time: 1000± 12 Hours																	
4	Low Temperature	Temperature: -55 ± 2 ° C Time: 1000± 12 Hours																	
5	Temperature and Humidity Cycle	<table border="1"> <thead> <tr> <th>Step</th> <th>Temp</th> <th>Humidity</th> <th>Time</th> </tr> </thead> <tbody> <tr> <td>1</td> <td>25± 2 ° C</td> <td>95~100%RH</td> <td>3.0Hr</td> </tr> <tr> <td>2</td> <td>55± 2 ° C</td> <td>95~96%RH</td> <td>9.5Hr</td> </tr> <tr> <td>3</td> <td>25± 2 ° C</td> <td>95~100%RH</td> <td>9.5Hr</td> </tr> </tbody> </table>		Step	Temp	Humidity	Time	1	25± 2 ° C	95~100%RH	3.0Hr	2	55± 2 ° C	95~96%RH	9.5Hr	3	25± 2 ° C	95~100%RH	9.5Hr
Step	Temp	Humidity		Time															
1	25± 2 ° C	95~100%RH	3.0Hr																
2	55± 2 ° C	95~96%RH	9.5Hr																
3	25± 2 ° C	95~100%RH	9.5Hr																
6	Vibration	Frequency: 10Hz~55Hz Amplitude: 1.5mm Direction: X,Y,Z Time: 2 Hours each																	
7	IR Reflow Soldering	Solder: H63A(eutectic solder) Solder Temp.: 230± 5 ° C Time: 6 minutes Cycles: x 1	Impedance(inductance) shall be within ± 20% of the initial value. DCR value shall be within ± 20% of the initial value.																
8	Soldering Heat Resistance	Preheat: 120 ~ 150 ° C (60 sec) Solder:H63A(eutectic solder) Solder Temp.: 260 ± 5 ° C Flux: Rosin Dip time: 10± 1 seconds	The chip must have no cracks. More than 75% of the terminal electrode must be covered with solder.																
9	Bending Strength		The terminal electrode and the ferrite must not be damaged by the forces applied on the test conditions.																
10	Flexure Strength		No mechanical damage shall be noticed even when the board is bent 2 mm																
11	Terminal Strength		The terminal electrode and the ferrite must not be damaged by the forces applied on the test conditions. 201209: ≥ 1.0kg 321609: ≥ 1.5kg																

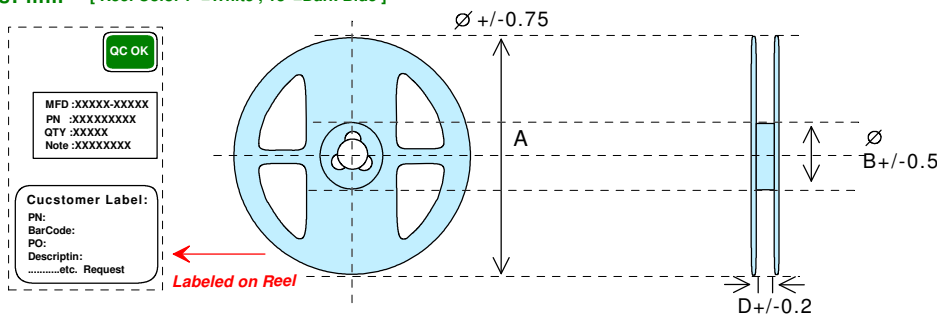


Product Series Code	GAR	Brand	GOTREND
File Version	GAR321609P-601N-V1R0	Editor	Teddy
Established Date	2019.04.19	Description	Ferrite Multilayer Chip Bead Array
Latest Edit Date	2019.04.19	Pages	Page : 5



SIZE/mm	Ao	Bo	W	D	T	P	Ko
321609	1.88	3.50	8.00	3.50	0.20	4.00	1.27

Reel Dimensions: mm [Reel Color 7"=White , 13"=Dark Blue]



SIZE / mm	A	B	D	REEL SIZE	QTY/REEL
321609	178	60	13.5	7"	3K

BOX Package:cm

