



Product Series Code	<b>GW</b>	Brand	<b>GOTREND</b>
File Version	<b>GW242418PT-055A18YTN-V1R0</b>	Editor	<b>Teddy</b>
Established Date	<b>2014.12.19</b>	Description	<b>Wireless Charging Coils</b>
Latest Edit Date	<b>2017.09.06</b>	Pages	<b>Page : 2</b>

### Features & Application :

- \* Wireless charging coils
- \* High permeability shielding for wireless charging coils
- \* Blocks charging flux from sensitive components or batteries
- \* High saturation powered iron - not affected by permanent locating magnets
- \* Durable construction
- \* Compliant to RoHS Directive 2002 / 95 / CE

### Part No Example:

**GW 242418 P T - 055 A 18 Y TN**

1 2 3 4 5 6 7 8 9

1. Product Code : GW
2. Size Code : 242418 = 24.0 x 24.0 x 1.8
3. P = Pb Free < 1000ppm
4. T = Tx
5. Wire Size : 055 = 0.55 mm ..... etc.
6. Wire Count : A = Single , B = 2 Wire , C = 3 Wire ..... etc.
7. Wire Turns ( Ts ) : 18 = 18.0 Ts
8. Wire Color : Y = Copper Yellow , R = Copper Red
9. TN : Material Code

### Test Equipment :

\* HP4284A , HP42841A - L , RDC

Standard Atmospheric Conditions :

Ambient Temp : 20 +/- 15°C

Relative Humidity : 65 +/- 20%

If there may be any doubt on the result, measurement shall be made within the following limits :

Ambient Temp : 25 +/- 5°C

Relative Humidity : 75 +/- 10%

### Operating & Storage Condition :

OPERATING TEMP : -25 ~ +85°C

STORAGE TEMP : -40 ~ +85°C

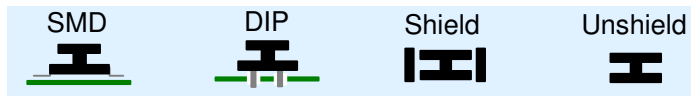
STORAGE LIFE TIME : 12 MONTH @25°C , RH 40~65%

### Electrical Characteristics :

GOTREND PN	Inductance ( uH )	DCR ( m Ohm )
GW242418PT-055A18YTN	6.30 +/- 10%	65.0 +/-20%

\* Inductance Test Condition@100KHz,1.0Vrms, 25°C Ambient

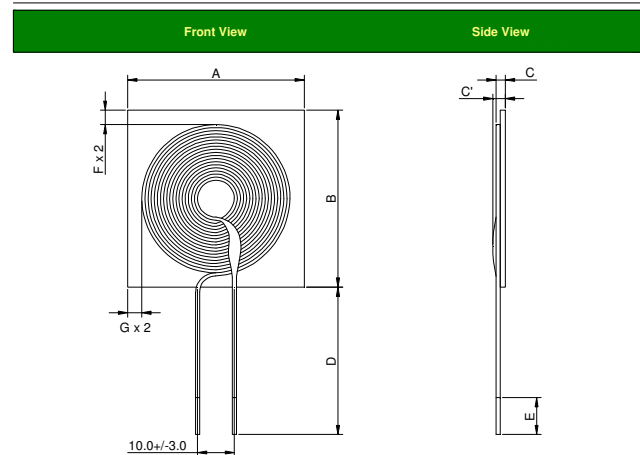
### Product Structure



### 2005 RoHS Compliant - SGS Certified Result

鉛 Pb	鎘 Cd	汞 Hg	六價鉻 Cr+6	溴化聯苯 PBB	溴化聯苯 醚PBDE
<1000ppm	ND	ND	ND	ND	ND

### DIMENSION : [ mm ]



Size	A[+/-0.5]	B[+/-0.5]	C[+/-0.3]	C[Max]	D[+/-3.0]	E[+/-2.0]	F[Min.]	G[Min.]
242418	24.0	24.0	1.8	2.8	20.0	5.0	0.5	0.5

### Attention & Caution :

Please avoid following matters:

- \* Splashing water or salt water
- \* Toxic Gas (Hydrogen sulfide, Sulfurous acid, Chlorine, Ammonia)
- \* Vibrations or shocks which exceed the specified condition
- \* Dew condenses
- \* Please be careful for the stress to this product by board flexure or something after the mounting.



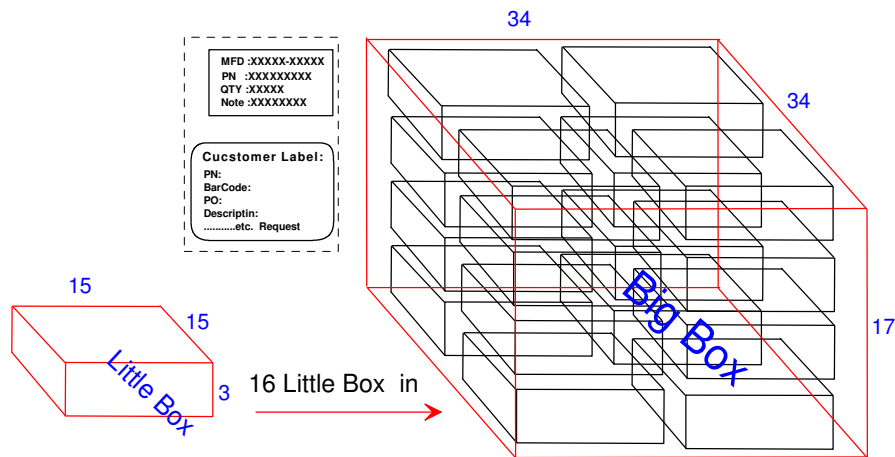
Product Series Code	<b>GW</b>	Brand	<b>GOTREND</b>
File Version	<b>GW242418PT-055A18YTN-V1R0</b>	Editor	<b>Teddy</b>
Established Date	<b>2014.12.19</b>	Description	<b>Wireless Charging Coils</b>
Latest Edit Date	<b>2017.09.06</b>	Pages	<b>Page : 3</b>

NO	ITEM	TEST CONDITIONS	Sample Qty/pcs	Specification	Result																
1	Dimension 本體相關尺寸	Actual Size ...	10	Meet Spec	ok																
2	Thermal Shock (Temperature Cycle) 溫度循環試驗	Temperature : -40 ° C~+85 ° C kept stabilized for 30 minutes each Cycle : 100 Cycle ( Power off )	10	Elec. no variation Appearance no deformation	ok																
3	Humidity Resistance 耐濕試驗	Humidity: 90%~ 95% RH Temperature: 40± 2 ° C Test Time: 96± 2 Hours	10	Elec. no variation Appearance no deformation	ok																
4	High Temperature 耐熱試驗	Temperature: 85± 2 ° C Testing Time: 96± 2 Hours	10	Elec. no variation Appearance no deformation	ok																
5	Low Temperature 耐寒試驗	Temperature: -40 ± 2 ° C Time: 96± 2 Hours	10	Elec. no variation Appearance	ok																
6	Temperature and Humidity Cycle 溫/濕度循環試驗	<table border="1"> <thead> <tr> <th>Step</th> <th>Temp</th> <th>Humidity</th> <th>Time</th> </tr> </thead> <tbody> <tr> <td>1</td> <td>25± 2 ° C</td> <td>90~95%RH</td> <td>3.0Hr</td> </tr> <tr> <td>2</td> <td>55± 2 ° C</td> <td>95~96%RH</td> <td>5.0Hr</td> </tr> <tr> <td>3</td> <td>25± 2 ° C</td> <td>90~95%RH</td> <td>3.0Hr</td> </tr> </tbody> </table> Cycle: 20 Cycles	Step	Temp	Humidity	Time	1	25± 2 ° C	90~95%RH	3.0Hr	2	55± 2 ° C	95~96%RH	5.0Hr	3	25± 2 ° C	90~95%RH	3.0Hr	10	Elec. no variation Appearance no deformation	ok
Step	Temp	Humidity	Time																		
1	25± 2 ° C	90~95%RH	3.0Hr																		
2	55± 2 ° C	95~96%RH	5.0Hr																		
3	25± 2 ° C	90~95%RH	3.0Hr																		
7	Vibration 振動性試驗	Frequency: 10Hz~50Hz Amplitude: 1.5mm Direction: X,Y,Z Time: 2 Hours each	10	Elec. no variation Appearance no deformation	ok																
8	Solderability 吃錫性試驗	Solder : Sn96.5 / Ag3.0 / Cu0.5 Pre-Heating : 150± 10 ° C / 1min. to 2min. Solder Temperature: 245± 5 ° C Immersion Time 4s ± 1s Electrode shall be at least 75%	10	Elec. no variation Appearance no deformation	ok																

### Package Information:

#### BOX Package: cm

Small Box:500 pcs  
Large Box:3000 pcs





Product Series Code	<b>GW</b>	Brand	GOTREND
File Version	GW242418PT-055A18YTN-V1R0	Editor	Teddy
Established Date	2014.12.19	Description	Wireless Charging Coils
Latest Edit Date	2017.09.06	Pages	Page : 4

REPORT INFORMATION		TEST EQUIPMENT		
CUSTOMER		L		
PART NO.		RDC		
DESCRIPTION		IDC		
TEST DATE		SRF		
REPORT NO.		Q		
Test Temperature		DIMENSION		
Test Humidity		SOLDERING		
Test Result....				
DIMENSION	ELEC.	SOLDERING	PIN/TERMINAL	MARKING
Test condition@				